

SERVICE REPAIR

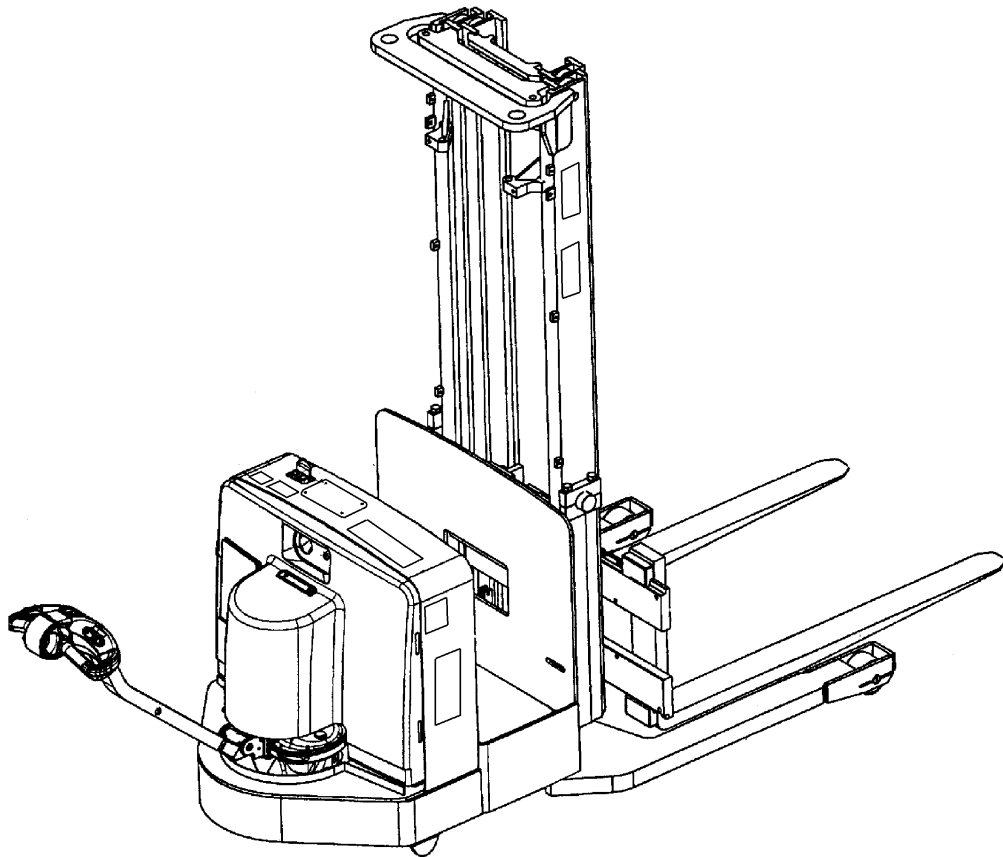
MANUAL

Hyster C454 (W25ZC, W30ZC, W40ZC) Forklift
Service Repair Manual

HYSTER

DIAGRAMS

W30-40ZA [B453, C453];
W20-30ZR [B455, C455];
W25-30-40ZC [B454, C454]



HYSTER

SAFETY PRECAUTIONS

MAINTENANCE AND REPAIR

- The Service Manuals are updated on a regular basis, but may not reflect recent design changes to the product. Updated technical service information may be available from your local authorized Hyster® dealer. Service Manuals provide general guidelines for maintenance and service and are intended for use by trained and experienced technicians. Failure to properly maintain equipment or to follow instructions contained in the Service Manual could result in damage to the products, personal injury, property damage or death.
- When lifting parts or assemblies, make sure all slings, chains, or cables are correctly fastened, and that the load being lifted is balanced. Make sure the crane, cables, and chains have the capacity to support the weight of the load.
- Do not lift heavy parts by hand, use a lifting mechanism.
- Wear safety glasses.
- DISCONNECT THE BATTERY CONNECTOR before doing any maintenance or repair on electric lift trucks. Disconnect the battery ground cable on internal combustion lift trucks.
- Always use correct blocks to prevent the unit from rolling or falling. See HOW TO PUT THE LIFT TRUCK ON BLOCKS in the Operating Manual or the Periodic Maintenance section.
- Keep the unit clean and the working area clean and orderly.
- Use the correct tools for the job.
- Keep the tools clean and in good condition.
- Always use HYSTER APPROVED parts when making repairs. Replacement parts must meet or exceed the specifications of the original equipment manufacturer.
- Make sure all nuts, bolts, snap rings, and other fastening devices are removed before using force to remove parts.
- Always fasten a DO NOT OPERATE tag to the controls of the unit when making repairs, or if the unit needs repairs.
- Be sure to follow the WARNING and CAUTION notes in the instructions.
- Gasoline, Liquid Petroleum Gas (LPG), Compressed Natural Gas (CNG), and Diesel fuel are flammable. Be sure to follow the necessary safety precautions when handling these fuels and when working on these fuel systems.
- Batteries generate flammable gas when they are being charged. Keep fire and sparks away from the area. Make sure the area is well ventilated.

NOTE: The following symbols and words indicate safety information in this manual:



WARNING

Indicates a hazardous situation which, if not avoided, could result in death or serious injury.



CAUTION

Indicates a hazardous situation which, if not avoided, could result in minor or moderate injury and property damage.

On the lift truck, the **WARNING** symbol and word are on orange background. The **CAUTION** symbol and word are on yellow background.

TABLE OF CONTENTS

Diagrams, Schematics or Arrangements.....	1
Figure 1. Wiring Schematic.....	2
Figure 2. Wiring Diagram.....	4
Figure 3. Wiring Schematic.....	6
Figure 4. Wiring Diagram.....	8
Figure 5. Wiring Schematic.....	10
Figure 6. Wiring Diagram.....	12
Figure 7. Wiring Schematic.....	14
Figure 8. Wiring Diagram.....	16
Figure 9. Wiring Schematic.....	18
Figure 10. Wiring Diagram.....	20
Figure 11. Wiring Schematic.....	22
Figure 12. Wiring Diagram.....	24
Figure 13. Without Sideshift.....	26
Figure 14. With Sideshift.....	28
Figure 15. Without Sideshift.....	30
Figure 16. With SideShift.....	32
Figure 17. With or Without Sideshift.....	34
Figure 18. With Sideshift and Auxiliary.....	36

This section is for the following models:

(W30-40ZA) [B453, C453];
 (W20-30ZR) [B455, C455];
 (W25-30-40ZC) [B454, C454]

"THE
QUALITY
KEEPERS"

HYSTER
APPROVED
PARTS

**Thanks very much for your reading,
Want to get more information,
Please click here, Then get the complete
manual**

JustClickHere 

NOTE:

**If there is no response to click on the link above,
please download the PDF document first, and then
click on it.**

**Have any questions please write to me:
admin@servicemanualperfect.com**

THIS PAGE INTENTIONALLY LEFT BLANK

THIS PAGE INTENTIONALLY LEFT BLANK

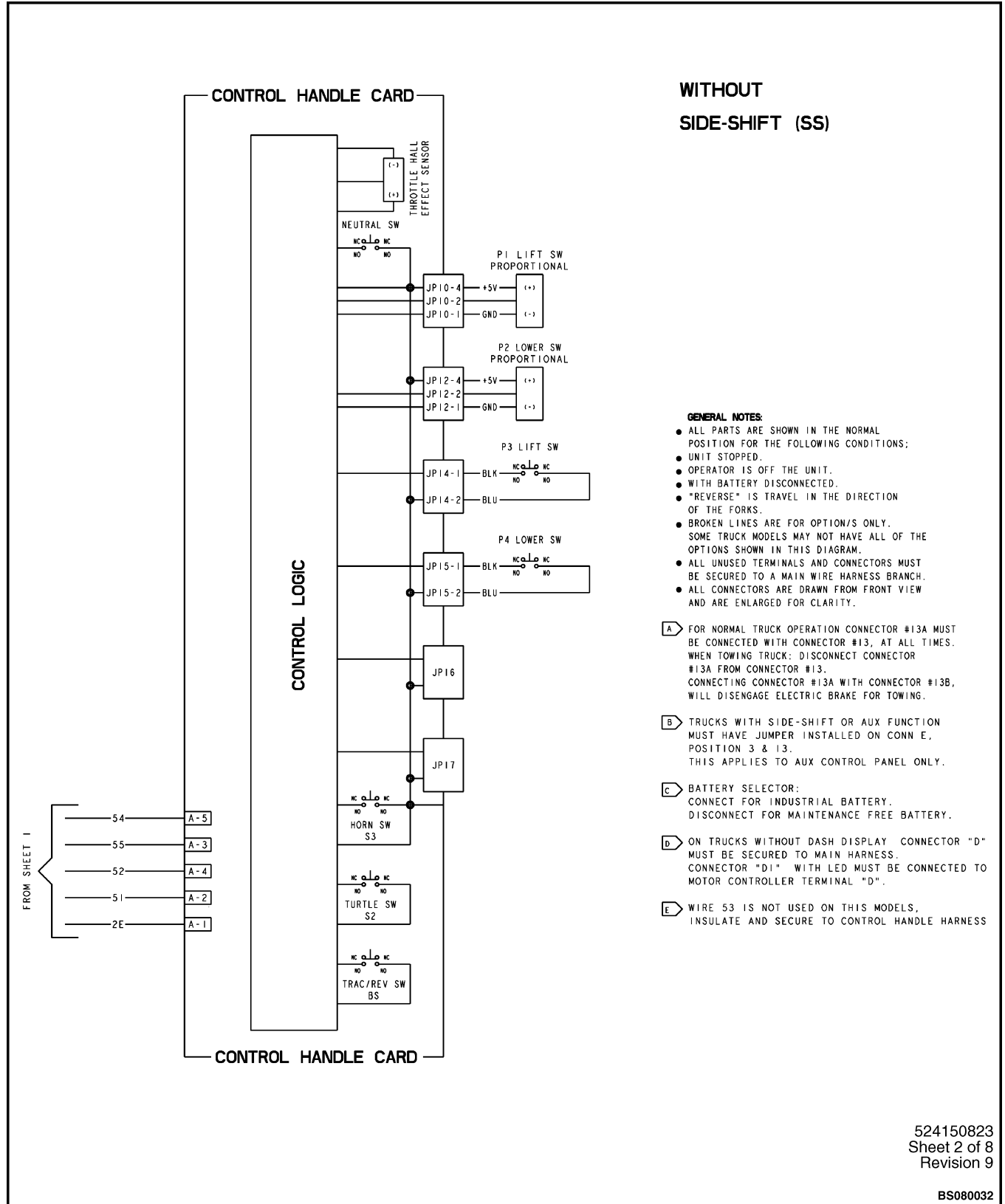
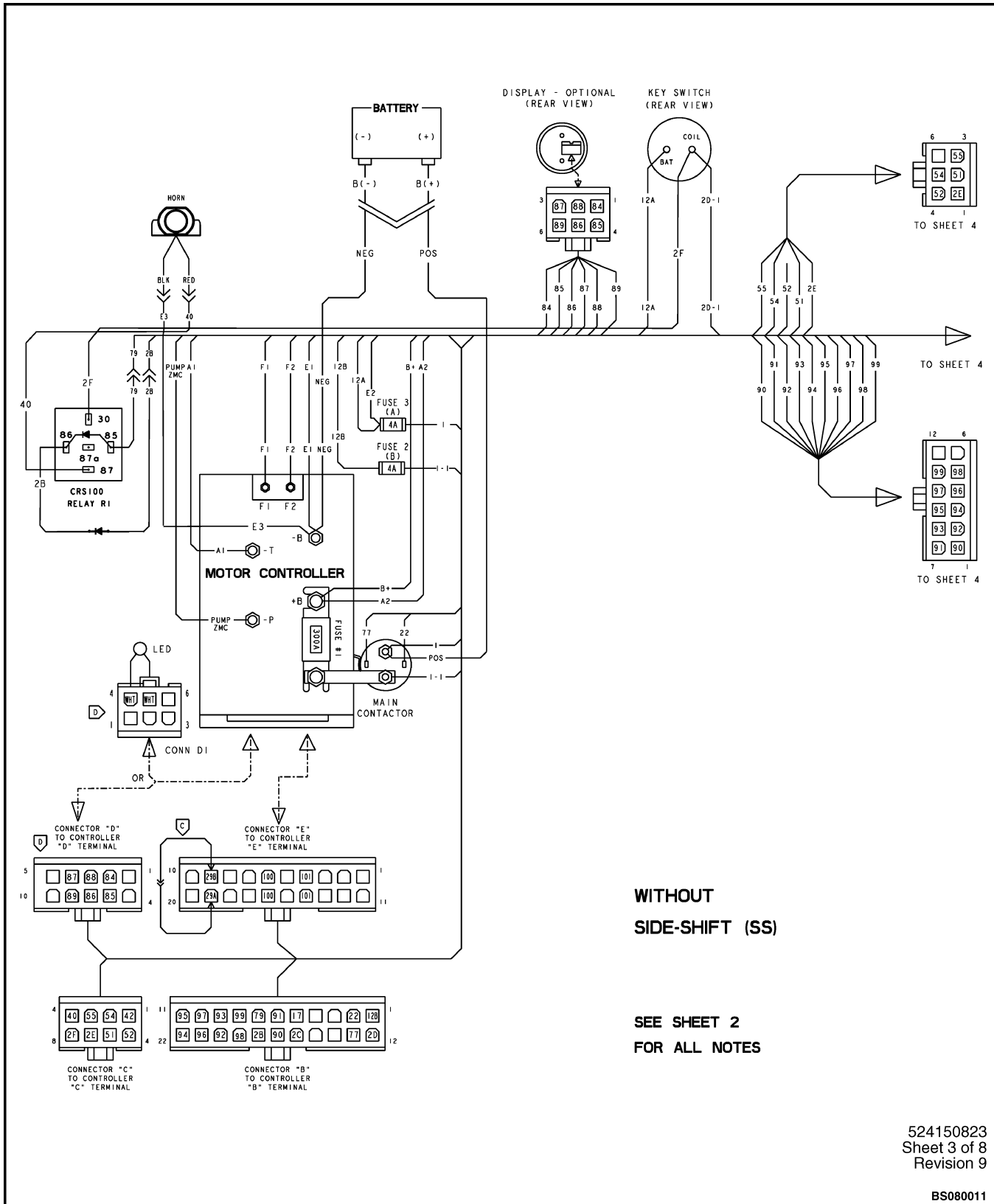


Figure 1. Wiring Schematic



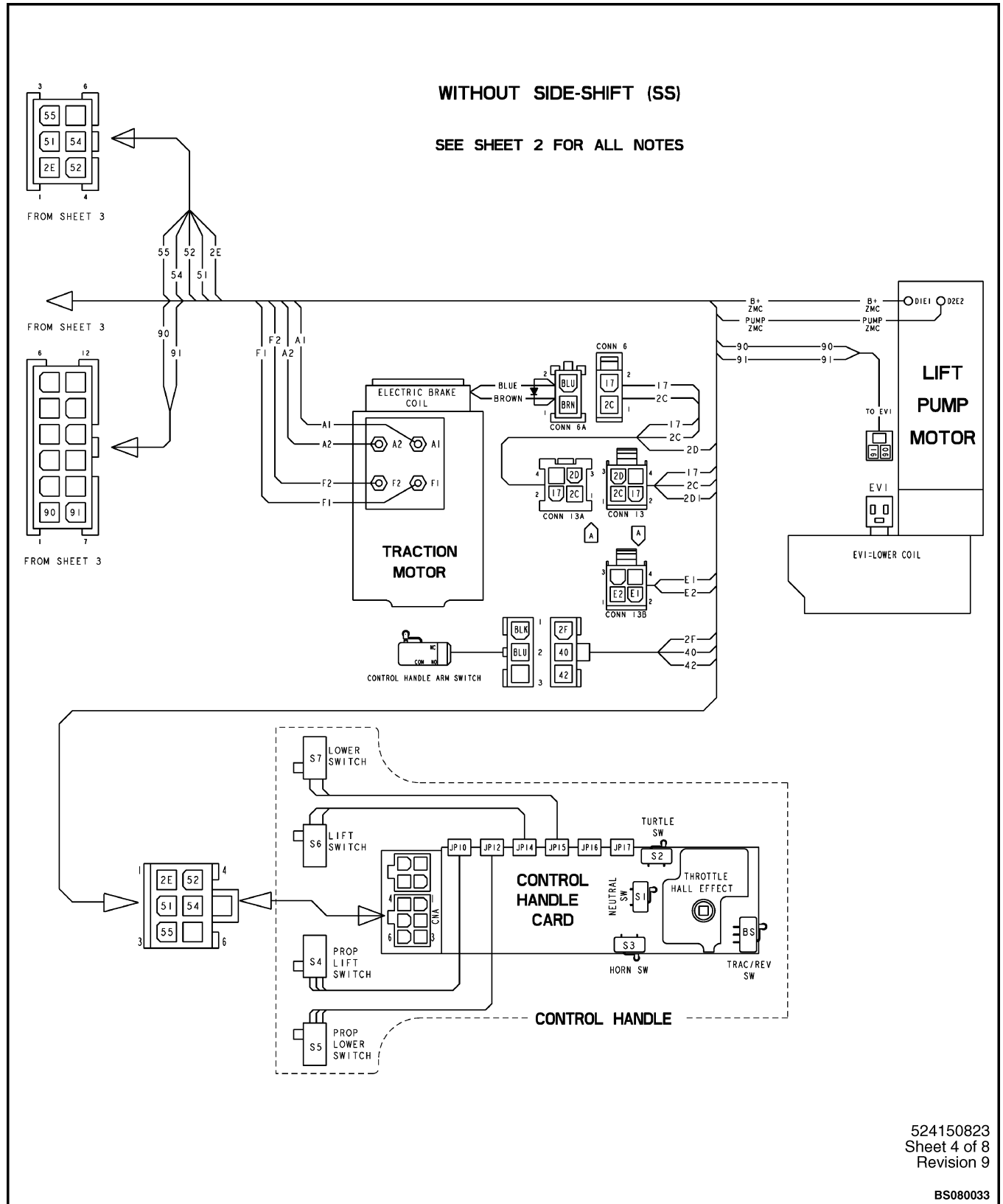
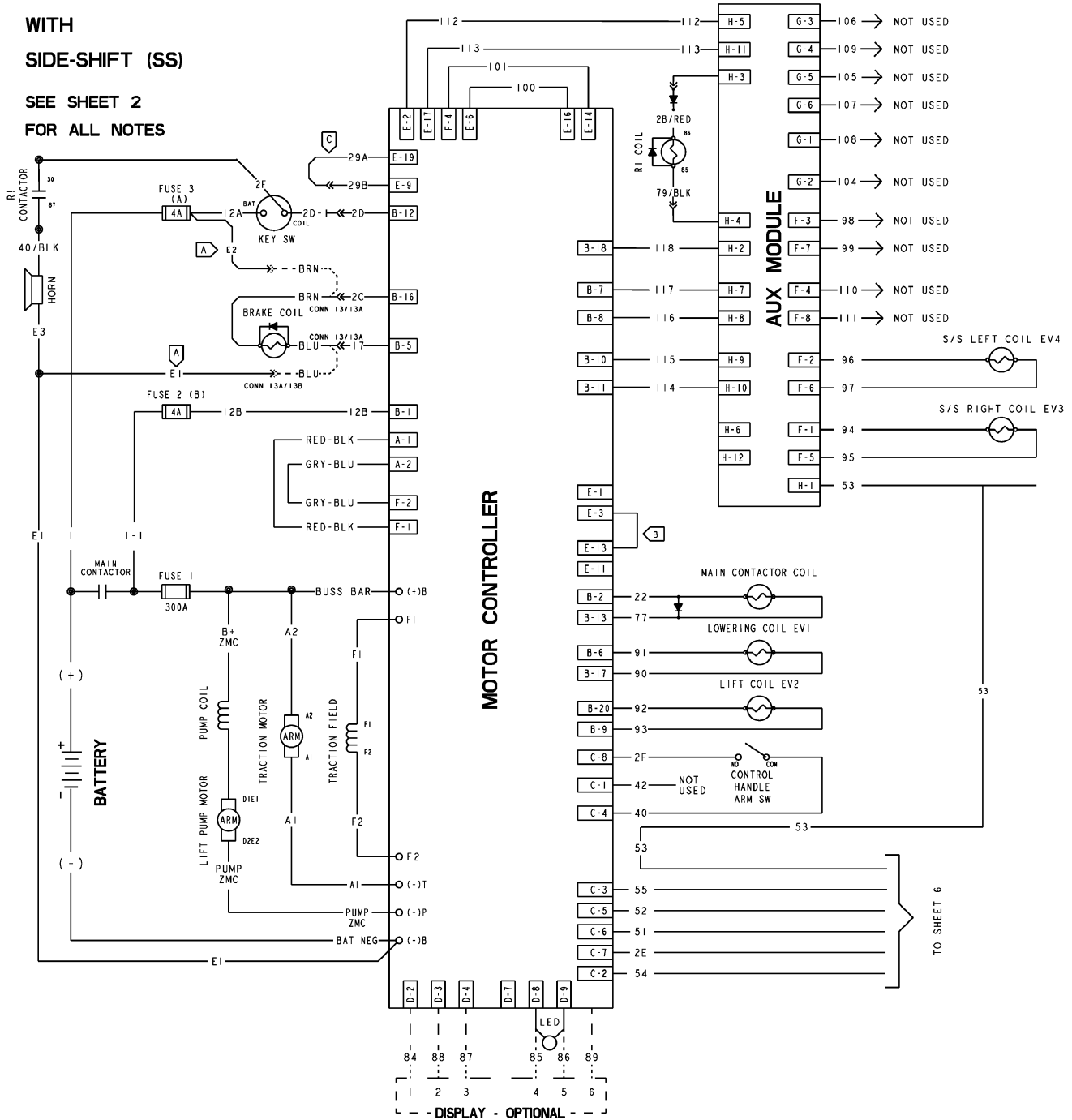


Figure 2. Wiring Diagram

W30-40ZA WITH SIDESHIFT

WITH
SIDE-SHIFT (SS)
SEE SHEET 2
FOR ALL NOTES



524150823
Sheet 5 of 8
Revision 9

BS080012

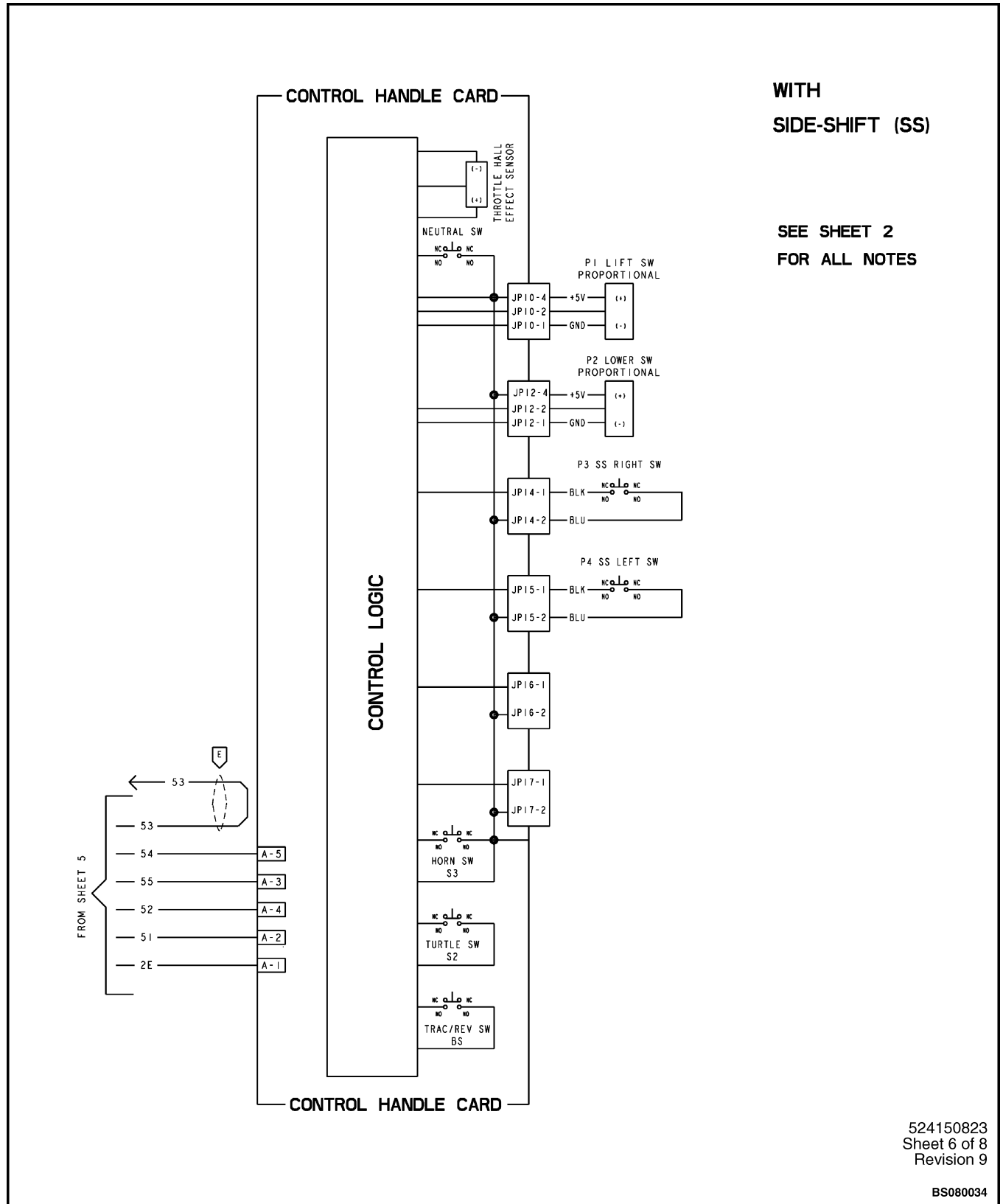
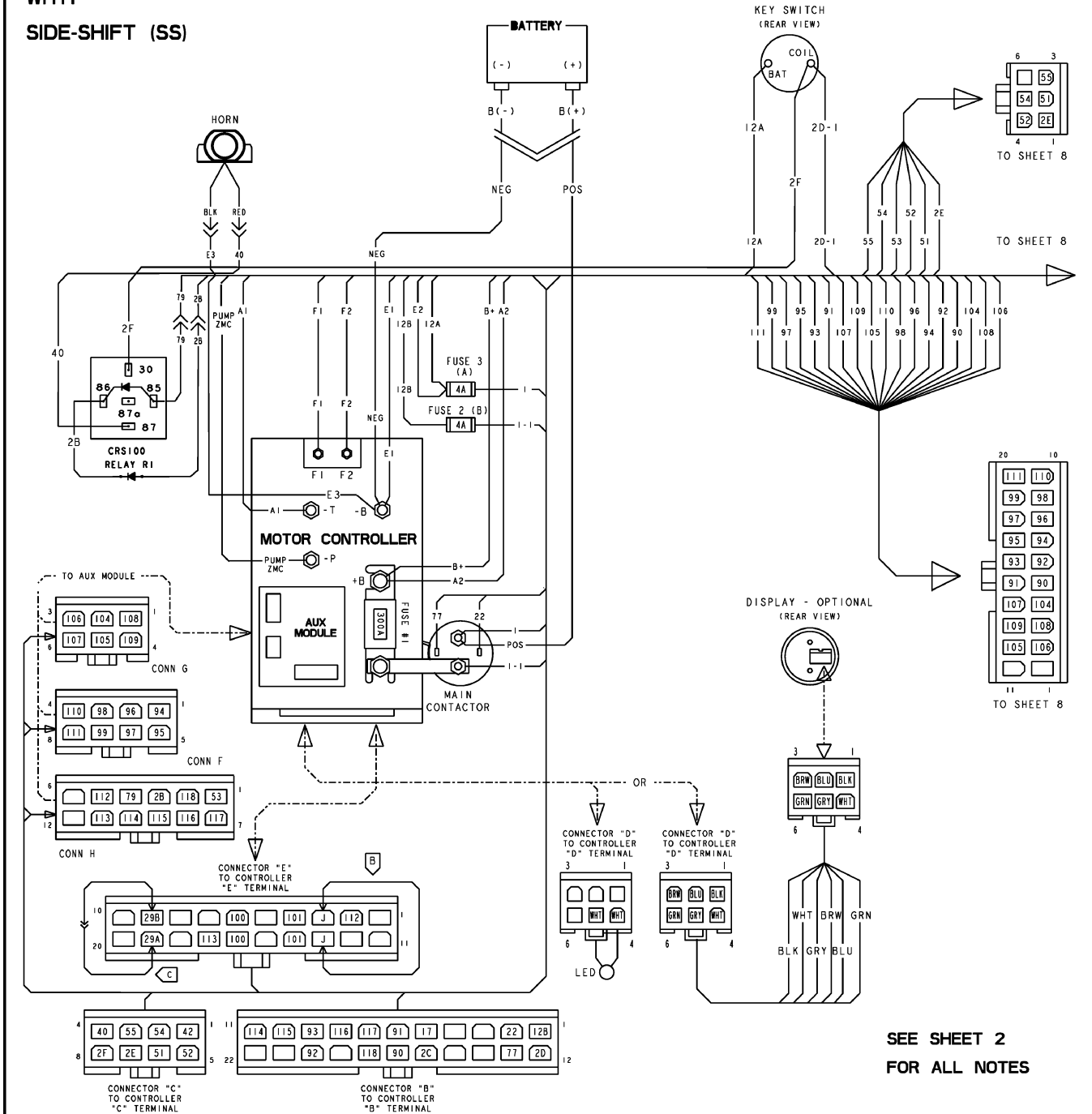


Figure 3. Wiring Schematic

**WITH
SIDE-SHIFT (SS)**



**SEE SHEET 2
FOR ALL NOTES**

524150823
Sheet 7 of 8
Revision 9

BS080035

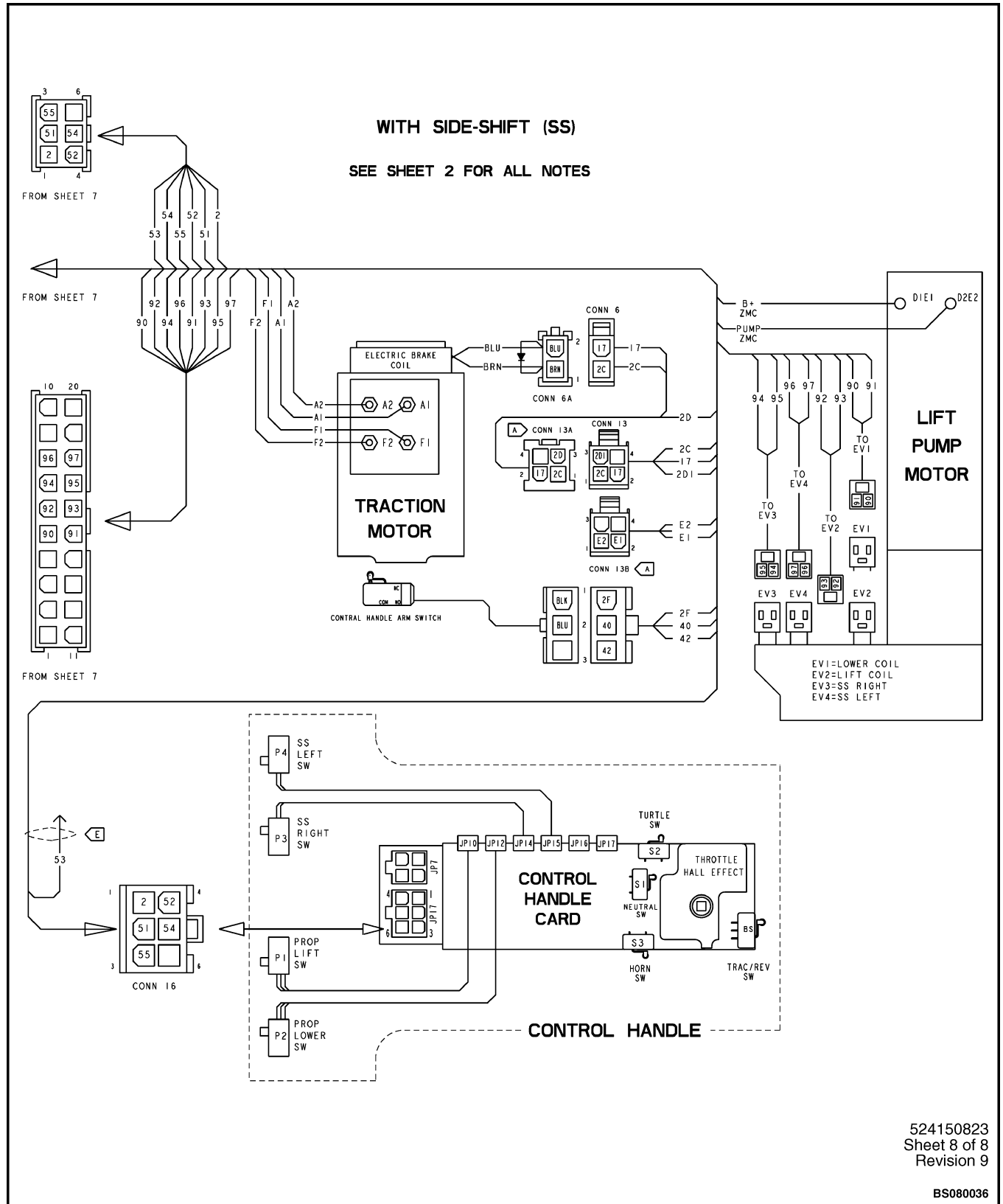
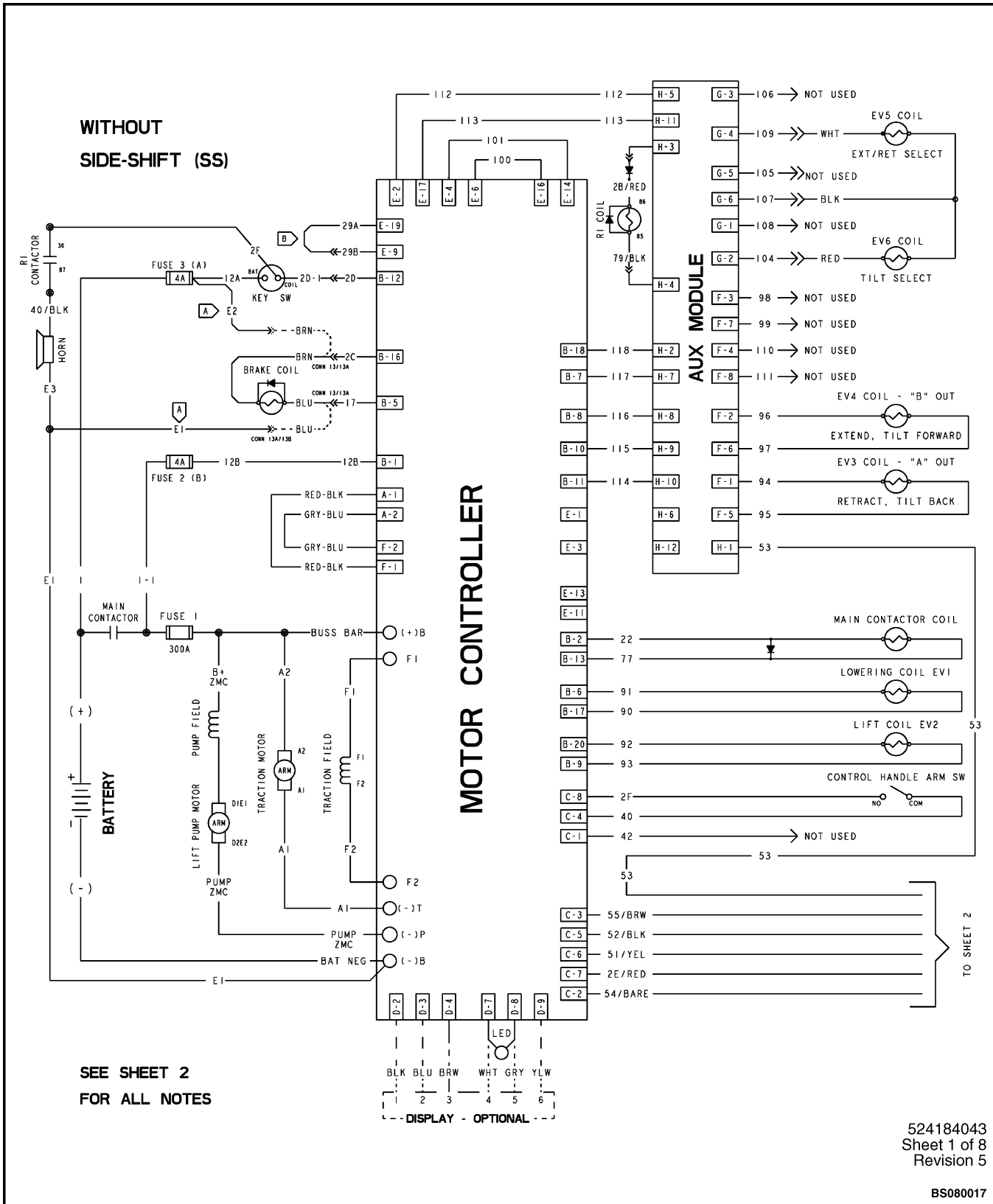
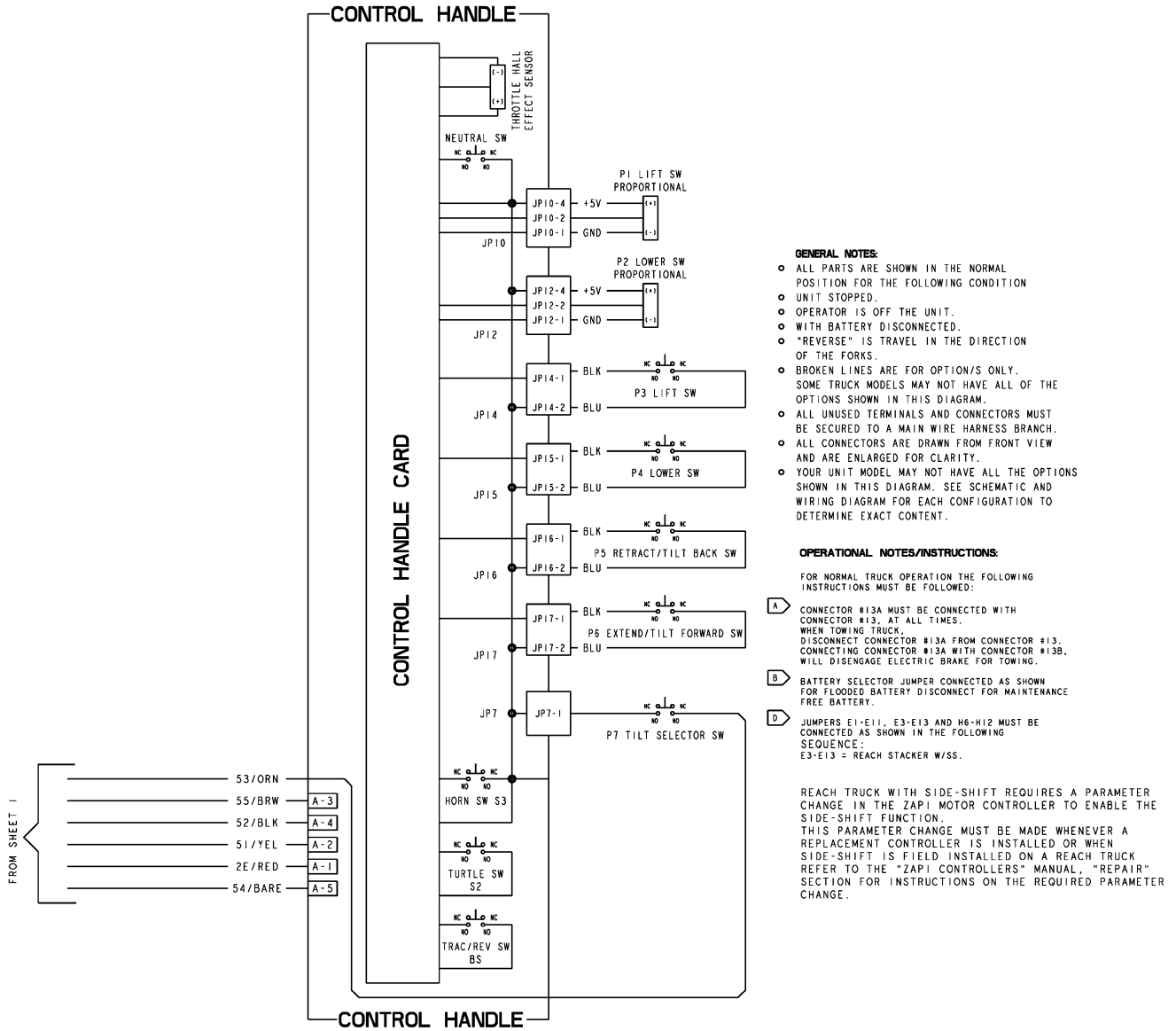


Figure 4. Wiring Diagram

W20-30ZR WITHOUT SIDESHIFT



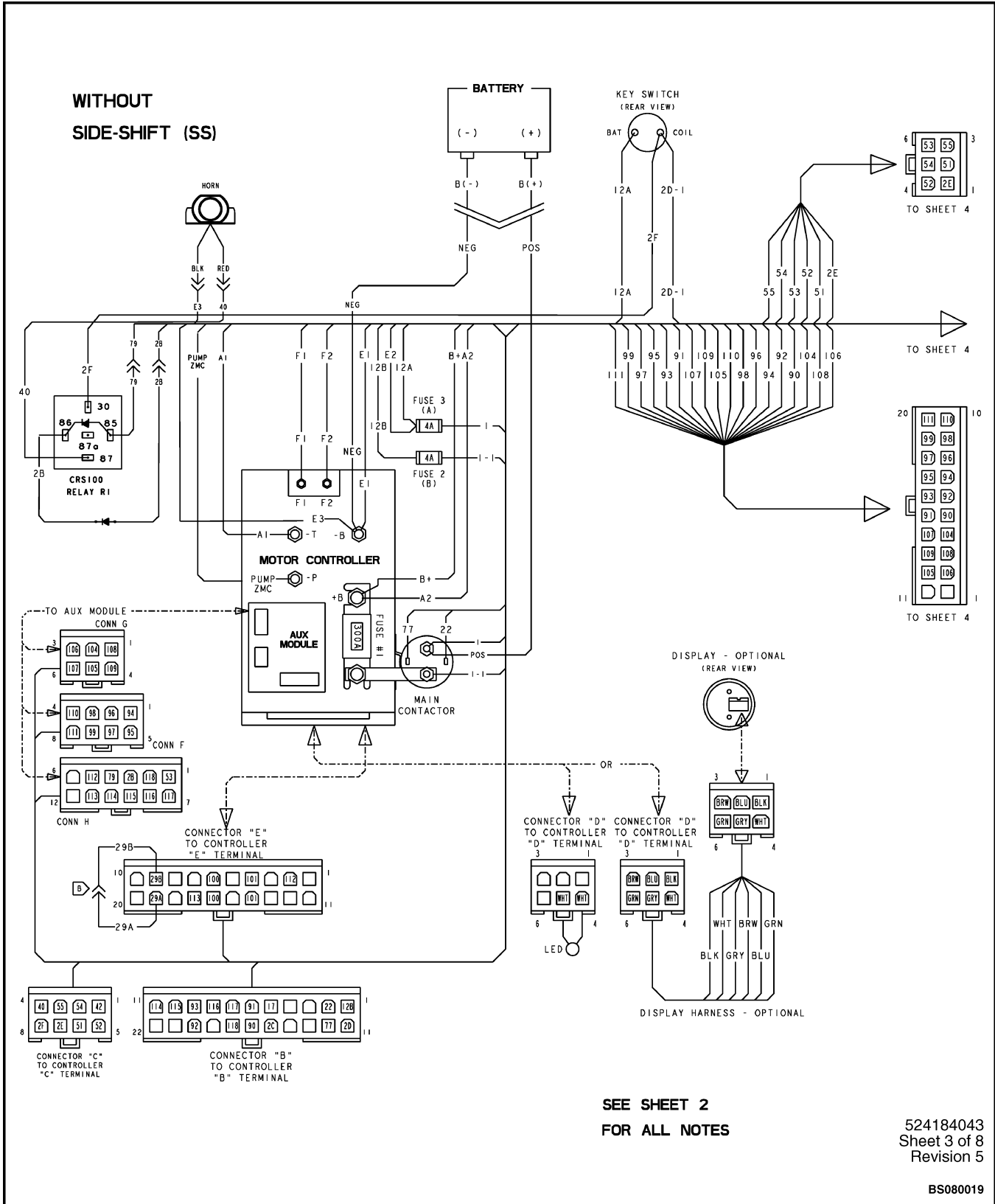
WITHOUT
SIDE-SHIFT (SS)



524184043
Sheet 2 of 8
Revision 5

BS080018

Figure 5. Wiring Schematic



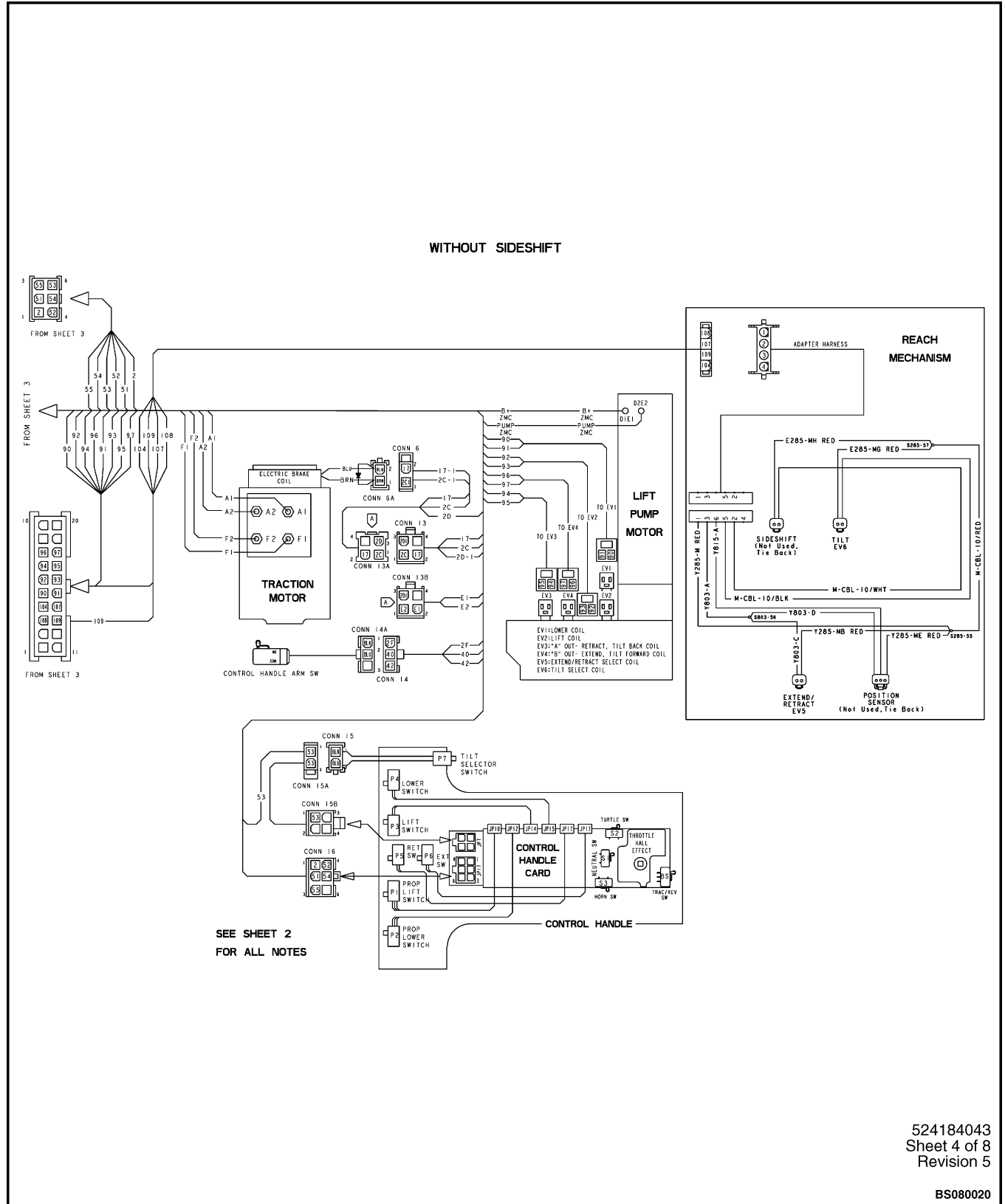
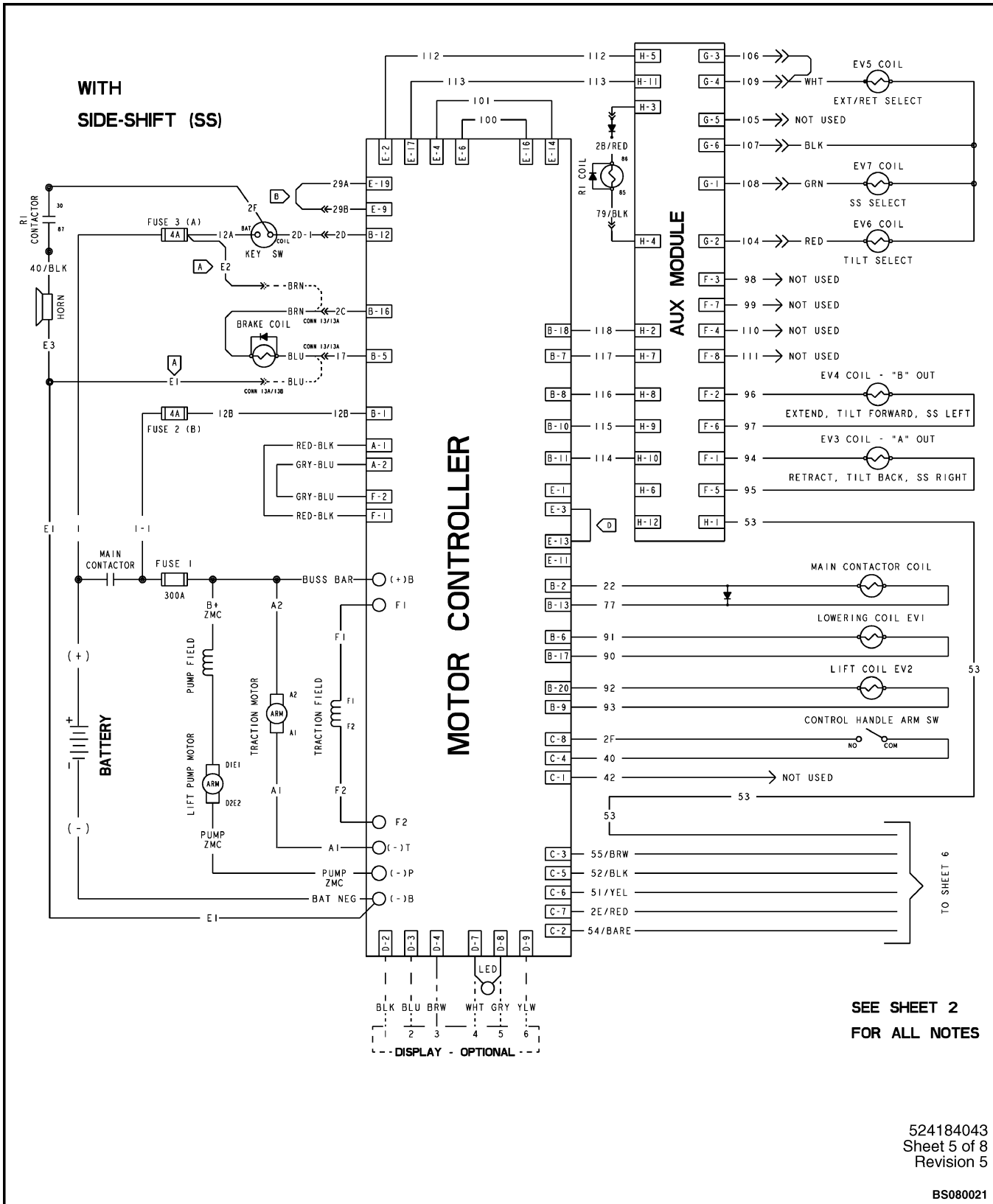
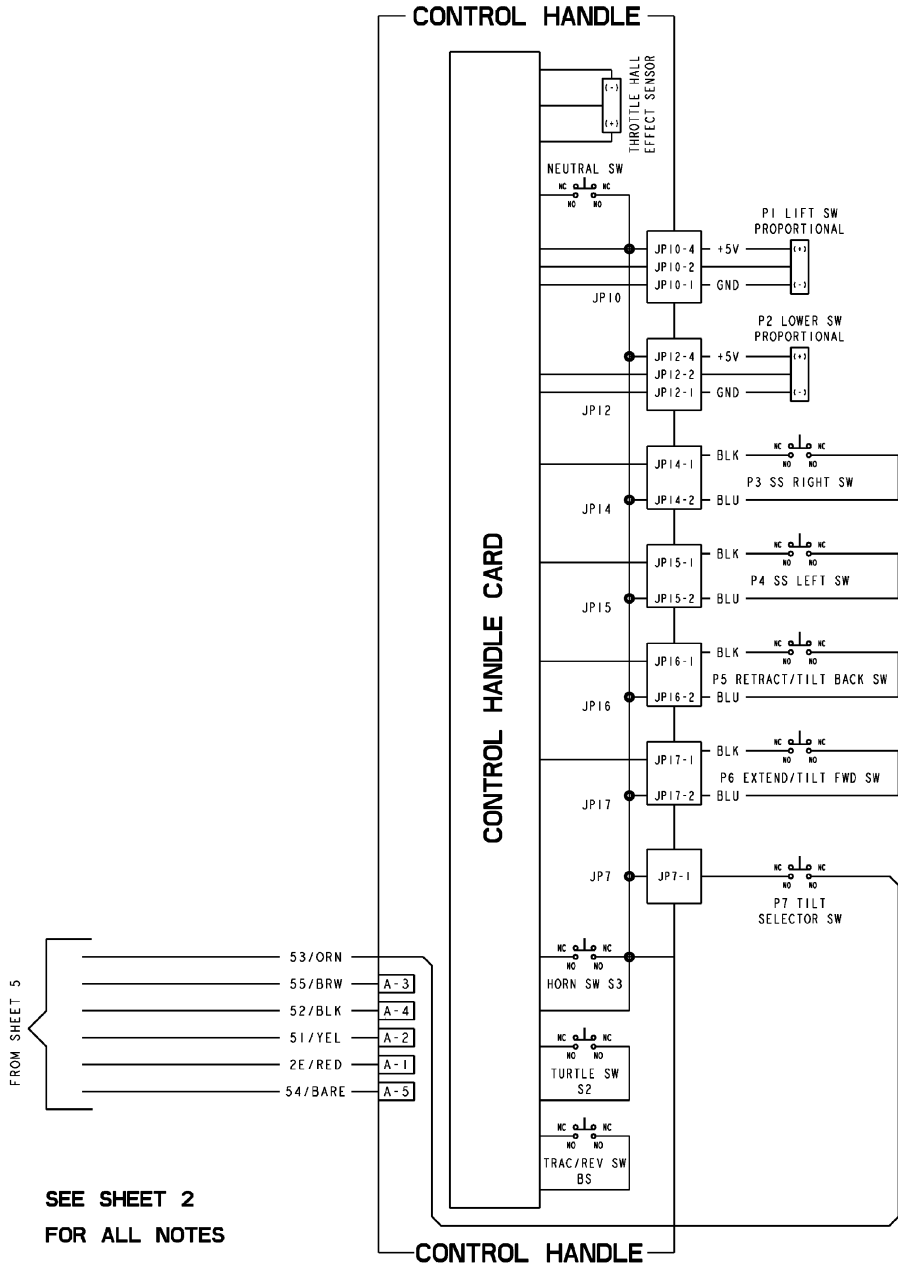


Figure 6. Wiring Diagram

W20-30ZR WITH SIDESHIFT



WITH
SIDE-SHIFT (SS)

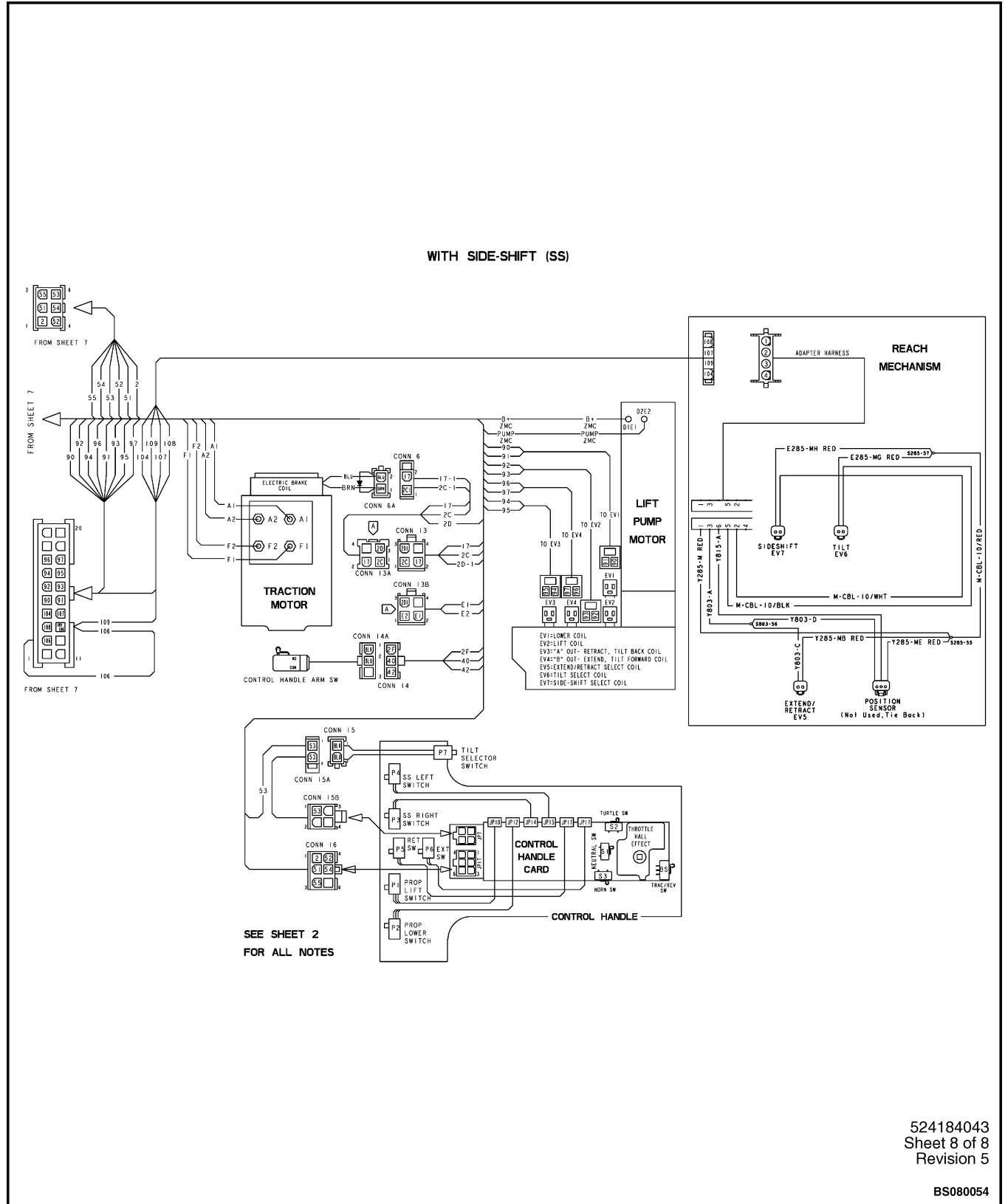


SEE SHEET 2
FOR ALL NOTES

524184043
Sheet 6 of 8
Revision 5

BS080022

Figure 7. Wiring Schematic

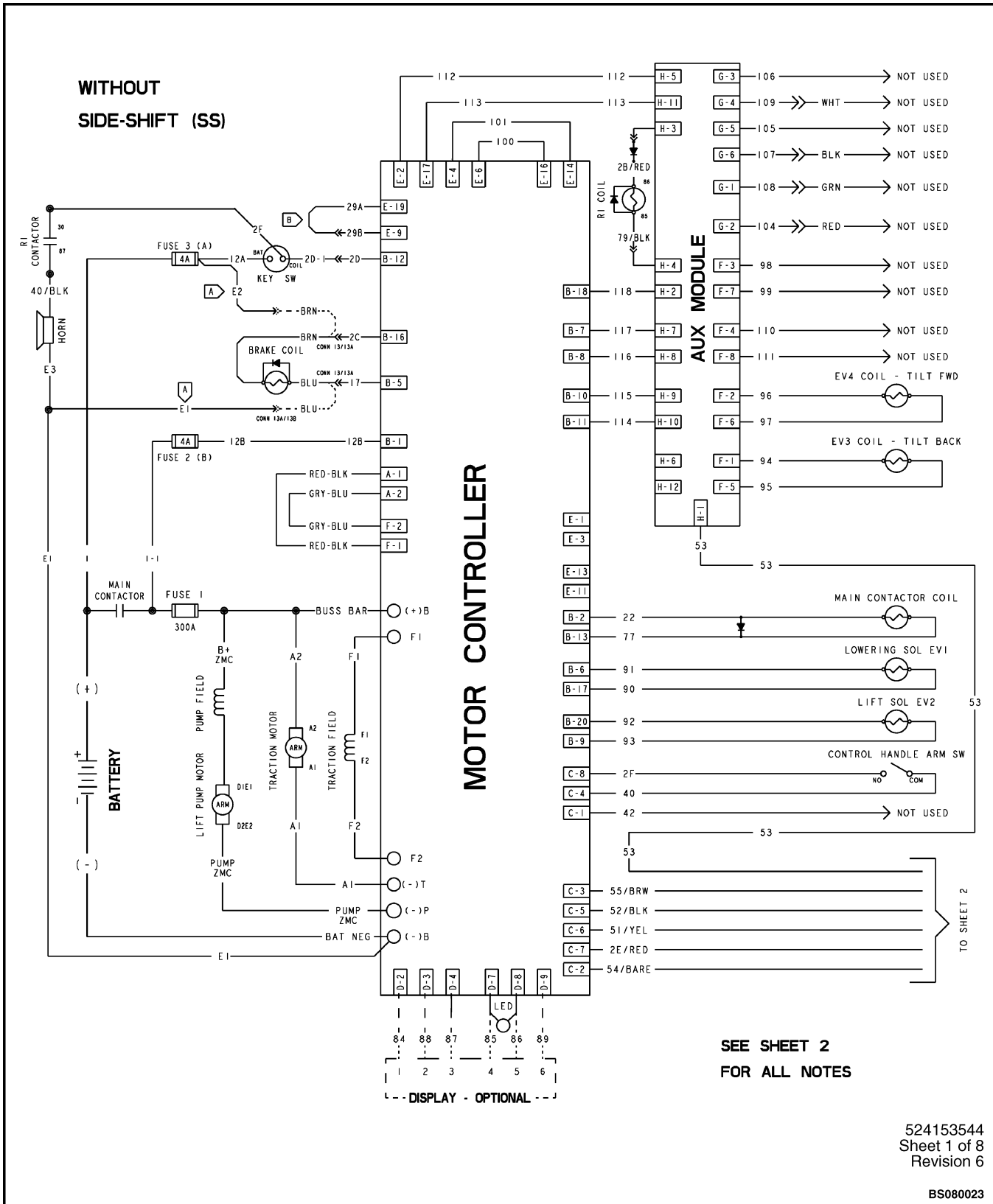


524184043
Sheet 8 of 8
Revision 5

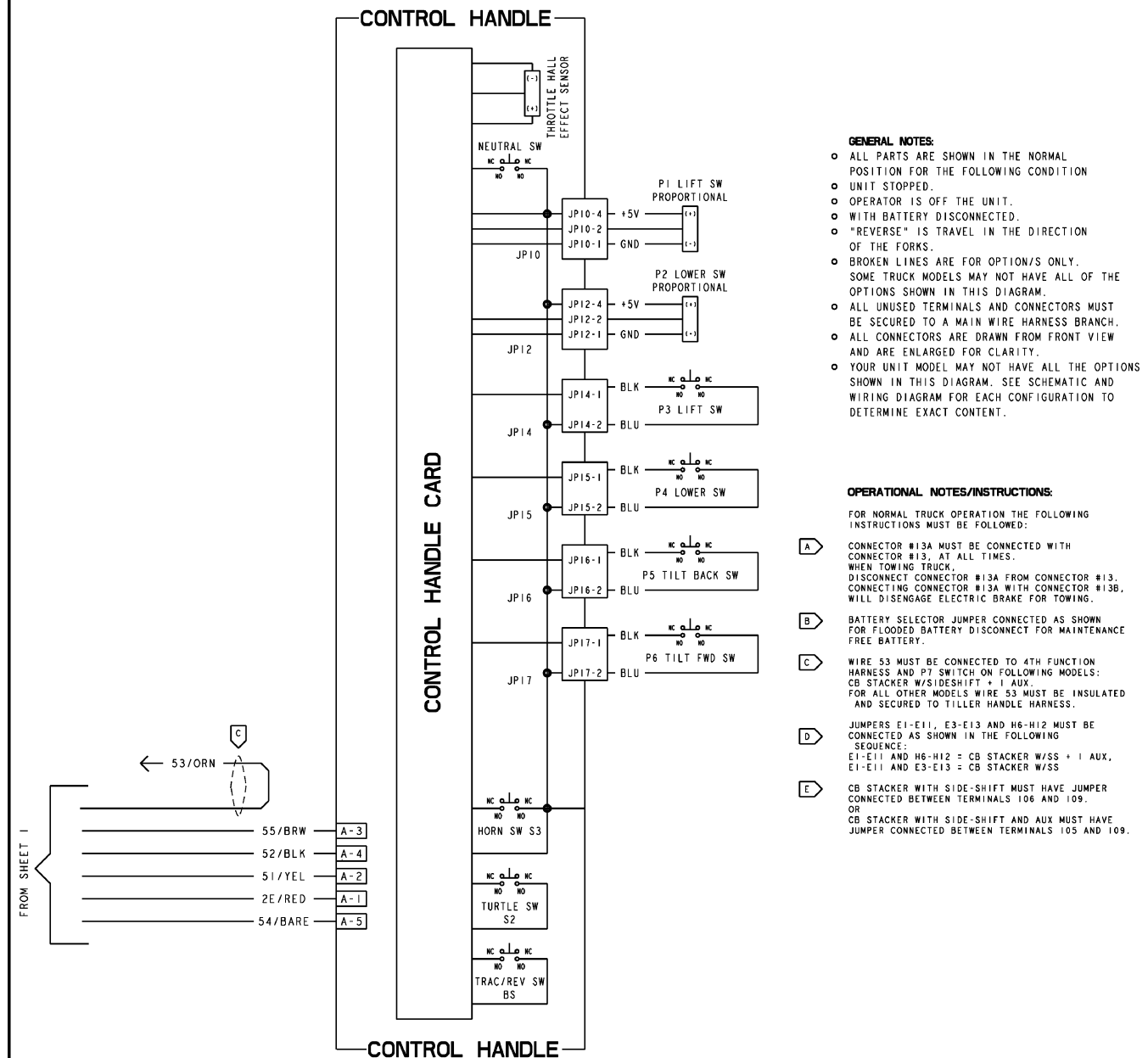
BS080054

Figure 8. Wiring Diagram

W25-30-40ZC WITHOUT SIDESHIFT



WITHOUT
SIDE-SHIFT (SS)



- GENERAL NOTES:**
- ALL PARTS ARE SHOWN IN THE NORMAL POSITION FOR THE FOLLOWING CONDITION
 - UNIT STOPPED.
 - OPERATOR IS OFF THE UNIT.
 - WITH BATTERY DISCONNECTED.
 - "REVERSE" IS TRAVEL IN THE DIRECTION OF THE FORKS.
 - BROKEN LINES ARE FOR OPTION/S ONLY. SOME TRUCK MODELS MAY NOT HAVE ALL OF THE OPTIONS SHOWN IN THIS DIAGRAM.
 - ALL UNUSED TERMINALS AND CONNECTORS MUST BE SECURED TO A MAIN WIRE HARNESS BRANCH.
 - ALL CONNECTORS ARE DRAWN FROM FRONT VIEW AND ARE ENLARGED FOR CLARITY.
 - YOUR UNIT MODEL MAY NOT HAVE ALL THE OPTIONS SHOWN IN THIS DIAGRAM. SEE SCHEMATIC AND WIRING DIAGRAM FOR EACH CONFIGURATION TO DETERMINE EXACT CONTENT.

- OPERATIONAL NOTES/INSTRUCTIONS:**
- FOR NORMAL TRUCK OPERATION THE FOLLOWING INSTRUCTIONS MUST BE FOLLOWED:
- A** CONNECTOR #13A MUST BE CONNECTED WITH CONNECTOR #13, AT ALL TIMES. WHEN TOWING TRUCK, DISCONNECT CONNECTOR #13A FROM CONNECTOR #13. CONNECTING CONNECTOR #13A WITH CONNECTOR #13B, WILL DISENGAGE ELECTRIC BRAKE FOR TOWING.
 - B** BATTERY SELECTOR JUMPER CONNECTED AS SHOWN FOR FLOODED BATTERY DISCONNECT FOR MAINTENANCE FREE BATTERY.
 - C** WIRE 53 MUST BE CONNECTED TO 4TH FUNCTION HARNESS AND P7 SWITCH ON FOLLOWING MODELS: CB STACKER W/SIDESHIFT + 1 AUX. FOR ALL OTHER MODELS WIRE 53 MUST BE INSULATED AND SECURED TO TILLER HANDLE HARNESS.
 - D** JUMPERS E1-E11, E3-E13 AND H6-H12 MUST BE CONNECTED AS SHOWN IN THE FOLLOWING SEQUENCE:
E1-E11 AND H6-H12 = CB STACKER W/SS + 1 AUX.
E1-E11 AND E3-E13 = CB STACKER W/SS
 - E** CB STACKER WITH SIDE-SHIFT MUST HAVE JUMPER CONNECTED BETWEEN TERMINALS 106 AND 109. OR
CB STACKER WITH SIDE-SHIFT AND AUX MUST HAVE JUMPER CONNECTED BETWEEN TERMINALS 105 AND 109.

524153544
Sheet 2 of 8
Revision 6

BS080024

Figure 9. Wiring Schematic